

Parts Breakdown

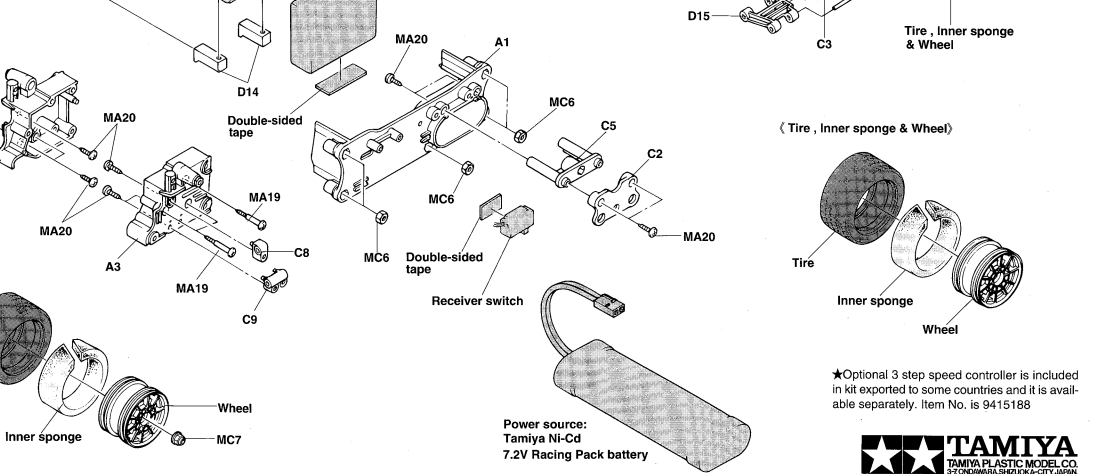
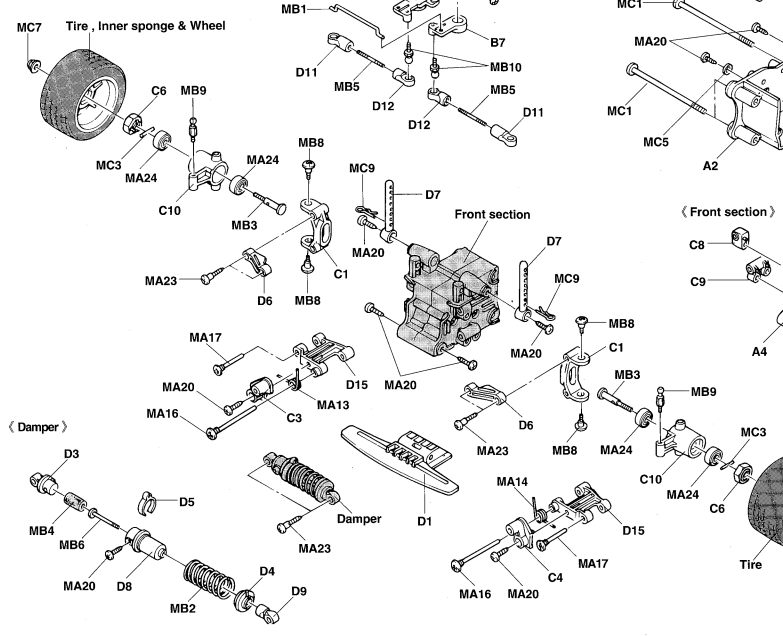
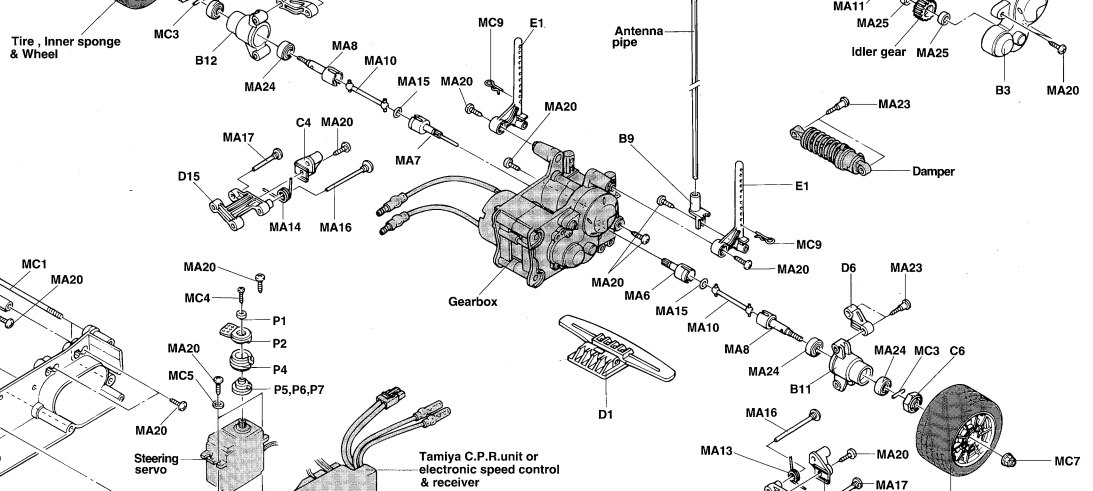
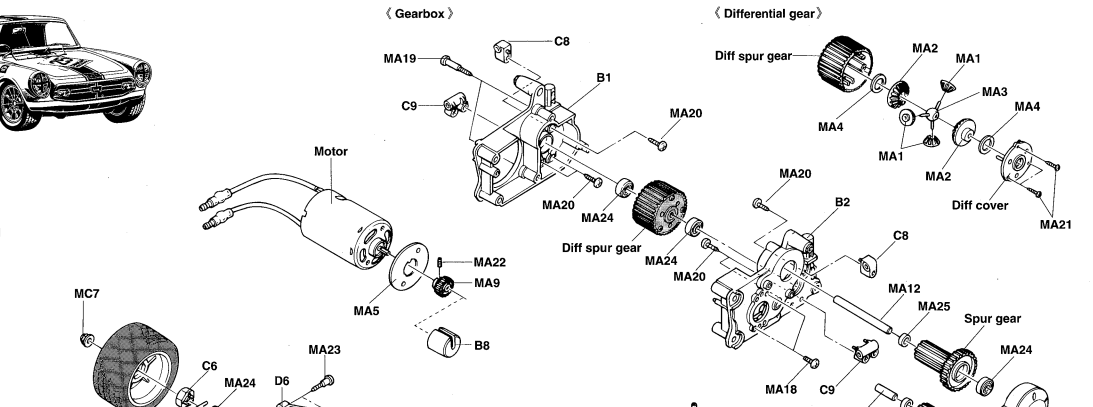
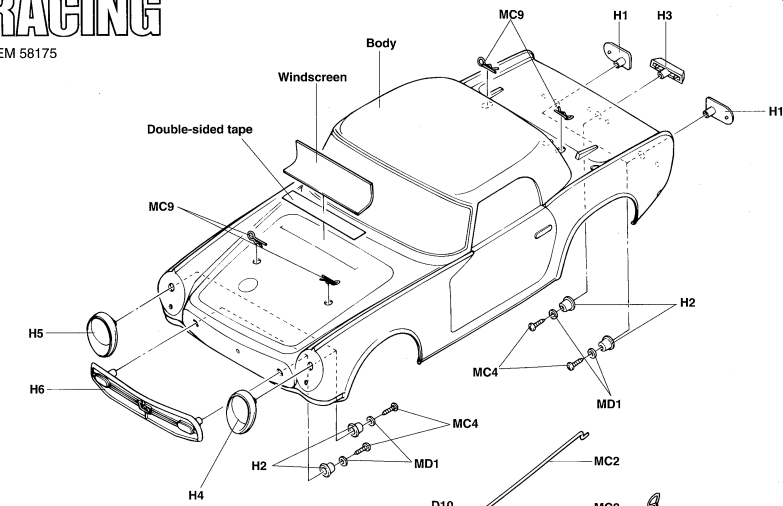
HONDA S800 RACING

ITEM 58175



< Gearbox >

< Differential gear >



Power source:
Tamiya Ni-Cd
7.2V Racing Pack battery

★Optional 3 step speed controller is included in kit exported to some countries and it is available separately. Item No. is 9415188

